

# DSCP70

## Power Supply Connection Module for DIN Rail Power Bus



### Description

Each DSCP70 Power Supply Connection Module permits the delivery of power to DSCP6x modules through DIN rail mounted power-bus connectors. An external power supply, or supplies for redundant operation, are connected to the terminals of the DSCP70. The DSCP70 then routes the power to the DIN rail power-bus, provides protection against power supply reversal, provides LED status indication of correct power, inverted power connection and presence of AC, and provides over-voltage protection.

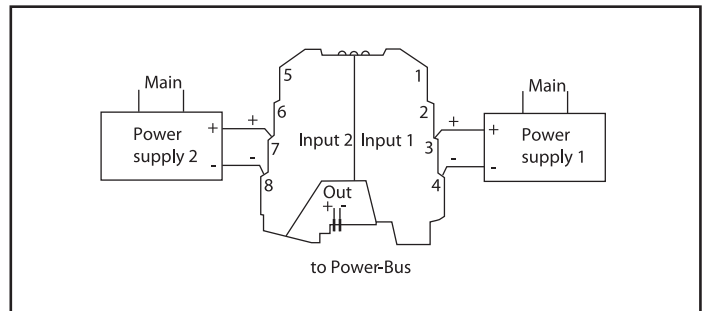


### Features

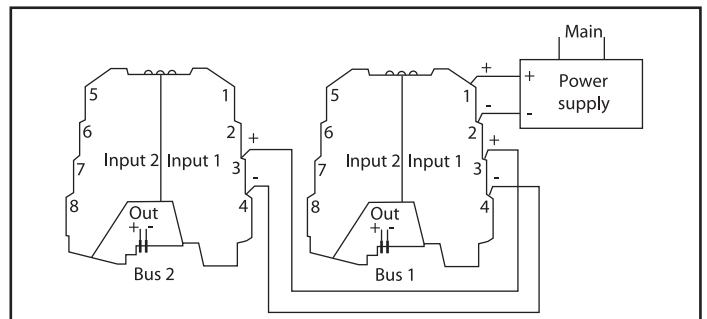
- Delivers Power to DSCP6x Modules via DIN Rail
- Two Independent Inputs Allow Redundant Power
- LED Indication of Power Supply Presence
- LED Indication of Reversed Power Connection
- 19.2 to 30VDC Power
- Spring Cage Clamp Connection
- Compact 6.2mm DIN Housing
- CE Compliant

### Electrical Connections

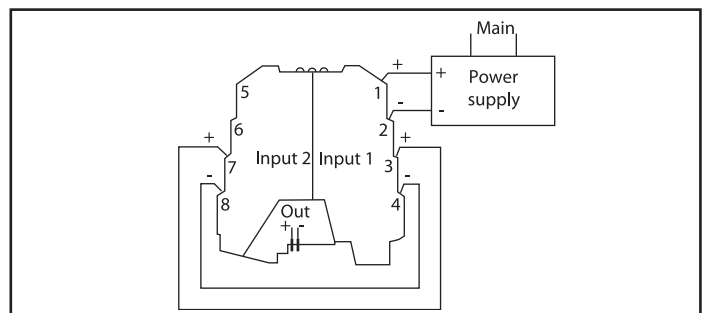
Example of connection with redundant power supply



Example of connection to more than one bus



Example of connection with inputs connected in parallel: 2A output



**Specifications** Typical\* at  $T_A = +25^\circ\text{C}$  and +24VDC loop power

Module	DSCP70
Input Voltage	19.2 to 30VDC
Current Capacity	4A maximum per terminal
Protection	Each positive input must have an external fuse
Output Internal Voltage Drop	300mV
Current Capacity	One input = 1.6A parallel inputs 1 and 2 = 2A
Filter	Differential mode: 4.7mH and two 470nF per input
Power Consumption	5mA per input maximum
Mechanical Dimensions (w x h x d)	0.24" x 3.67" x 4.04" (6.2mm x 93.1mm x 102.5mm)
Housing	Terminal housing for mounting on 35mm DIN 46277
Connections	Spring cage clamp
Weight	1.6 ounces (46g)
Environmental Operating Temp. Range	-20°C to +65°C
Storage Temp. Range	-40°C to +85°C
Relative Humidity	0 to 90% Noncondensing
IP Protection	IP20
Emissions Immunity	EN61000-6-4 EN61000-6-2

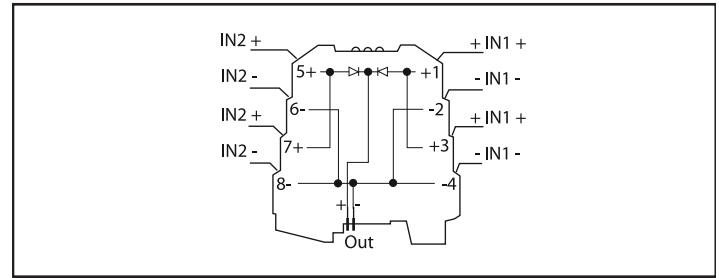
**Ordering Information**

Model	Description
DSCP70	Power Supply Connection Module
DSCX-02	DIN Rail Expandable Power-Bus Connector

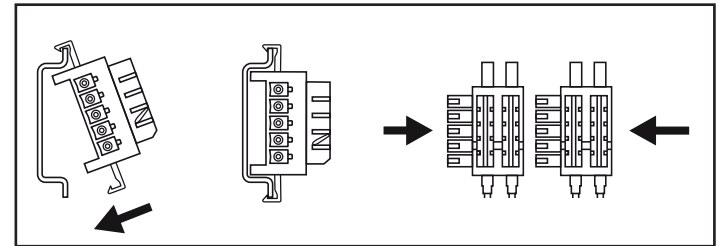
NOTES:  
\*Contact factory or your local Dataforth sales office for maximum values.

**Installation**

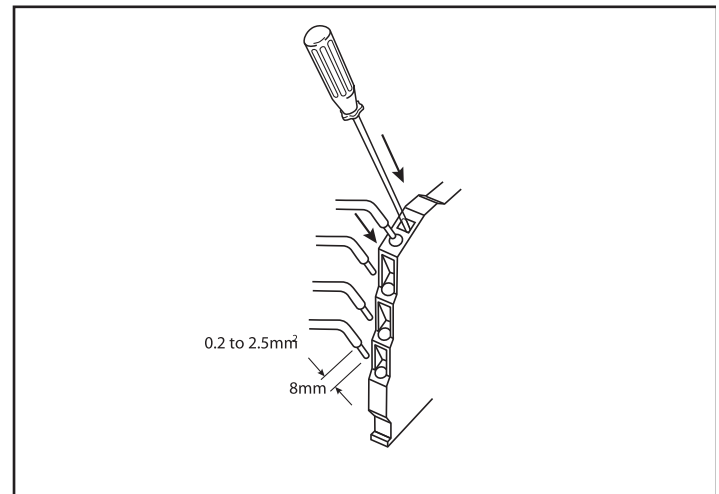
**Internal wiring**



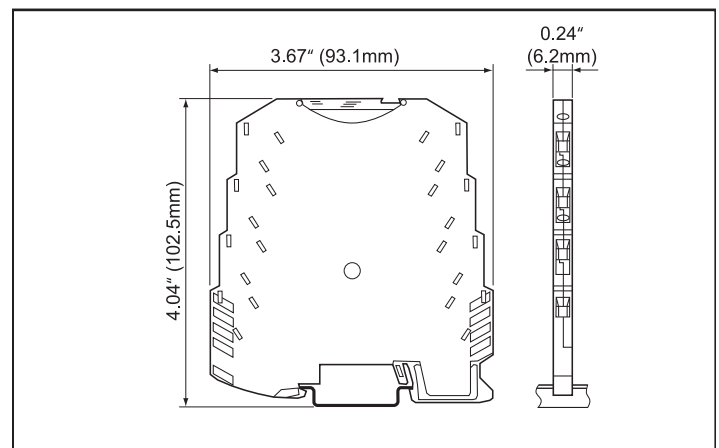
**Expandable power-bus connector**



**Spring cage clamp connection**



**Dimensional Drawing**



**DSCP**