

SCMPB07

8-Position Backpanel, High Density



Description

The SCMPB07 8-channel high-density backpanel can accept any of the SCM5B analog modules in any mixture. Its overall width is 5.5 inches (139.7mm) versus 10 inches (254mm) for the SCMPB05 and SCMPB06 8-channel backpanels. Separate analog signal paths are provided for each channel. Each channel provides four high-density screw terminals for field connections and two high-density screw terminals for host system connection. It also provides a jumper on each channel to optionally connect or isolate each module's I/O common from other channel's I/O common and/or power common. (Figure 16.)

Ordering Information

Part Number	Description
SCMPB07	Standard 8-channel backpanel. No mounting hardware included.
SCMPB07-1	SCMPB07 without cold junction compensation circuits. Use when cost savings is desired and thermocouple input modules SCM5B37 and SCMPB47 will not be used.
SCMPB07-2	SCMPB07 with DIN rail mounting hardware. Shipped fully assembled. Accepts 8 SCM5Bxx-xx modules.
SCMPB07-3	SCMPB07-1 with DIN rail mounting option.

Specifications

Operating Temperature	-40°C to +85°C
ATEX Group II, Category 3	-20°C to +40°C
Relative Humidity	95% non-condensing
Interface Connector:	
Field	high density screw clamp, 14 AWG max
System	26-pin, male header connector

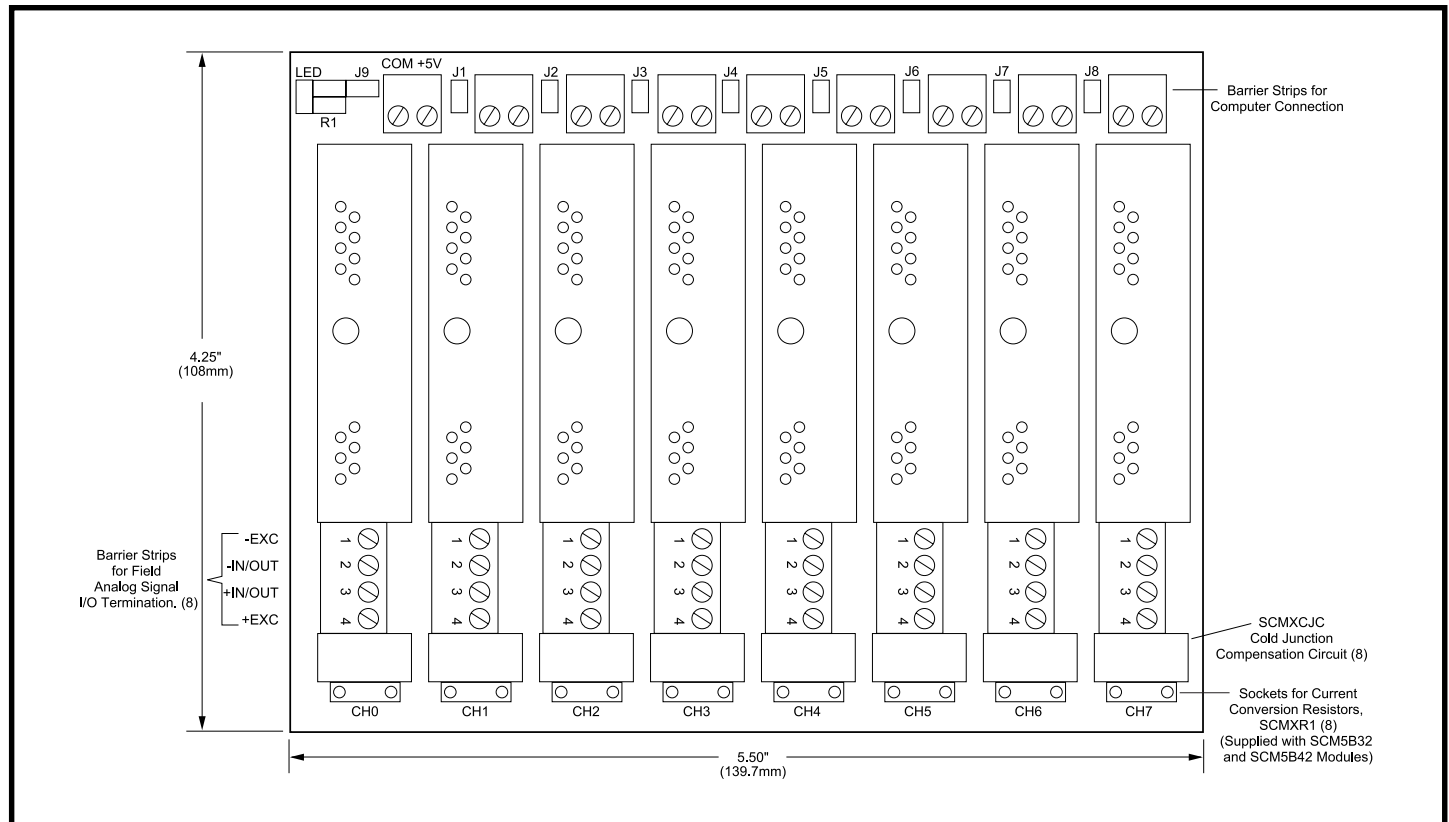


Figure 16: SCMPB07 Analog I/O Backpanel

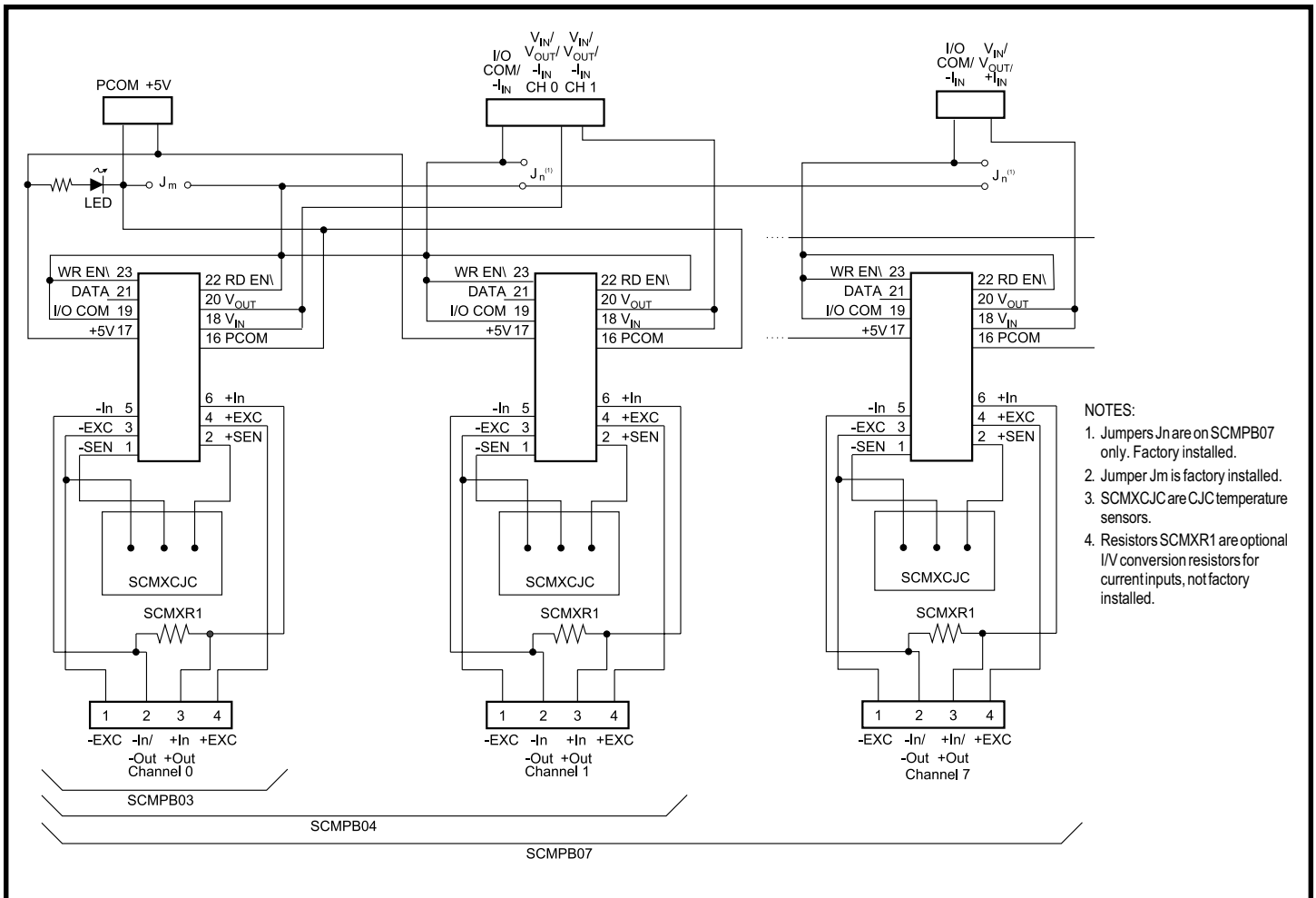


Figure 11: SCMPB03/SCMPB04/SCMPB07 Schematic