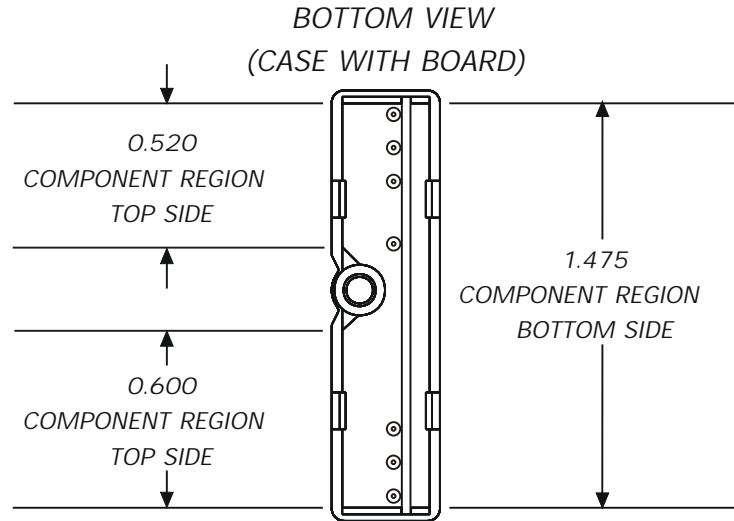
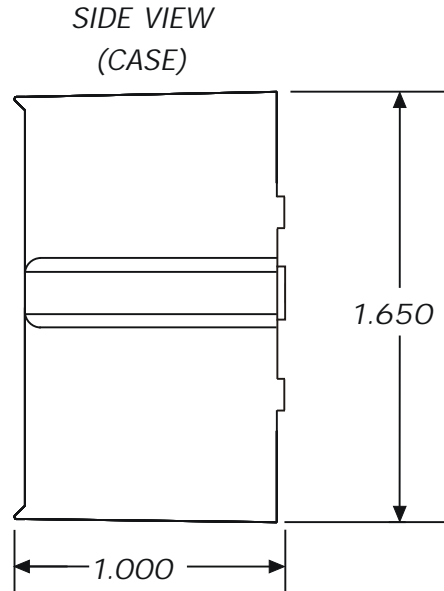
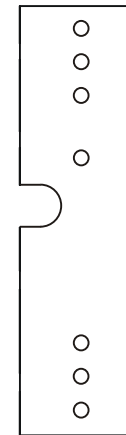


GENERAL NOTES

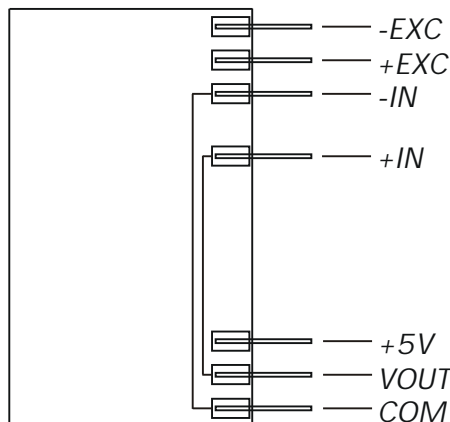
1. ALL DIMENSIONS ARE IN INCHES.
2. LIMIT COMPONENT HEIGHT ON TOP SIDE OF PCB TO 0.150 IN.
3. LIMIT COMPONENT HEIGHT ON BOTTOM SIDE OF PCB TO 0.050 IN.
4. NO COMPONENT PARTS TO EXTEND BEYOND DESIGNATED COMPONENT REGIONS.
5. PARTS PROVIDED: CASE, CASE HEADER, MOUNTING SCREW AND PCB WITH INTERFACE PINS.



CASE HEADER



PCB PIN OUT



PCB NOTES

1. +IN IS CONNECTED TO VOUT.
2. -IN IS CONNECTED TO COM.
-CUT RESPECTIVE TRACE(S) TO SEPARATE IF REQUIRED.
3. PCB THICKNESS IS 0.031 IN.

TITLE: 8B-PROTO USER'S MANUAL						USED ON: 8B PASS-THRU MODULES	
SUBJECT: 8B-PROTO							
PROGRAM USED: COREL DRAW 8.0	ORG: R.K.	DWN: R.K.	CKD: J.L.	SHEET: 1 OF 1	DRAWING NO: AS1319	REV: A	DATE: JUN/14/2006