

SCM9B Series

Mechanical Dimensions

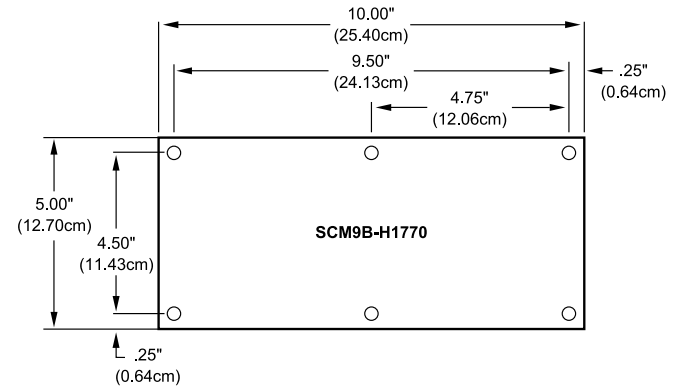
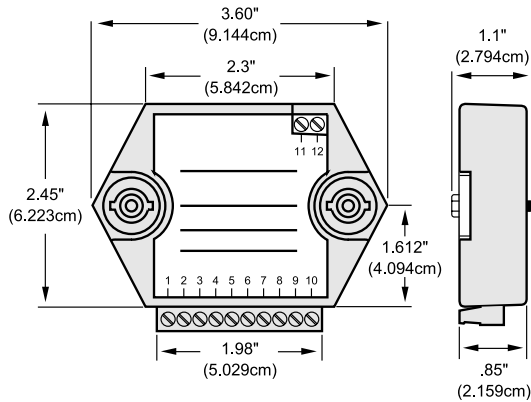
Mechanicals and Dimensions-SCM9B-1000/2000/3000/4000/5000

Case: ABS with captive mounting hardware.

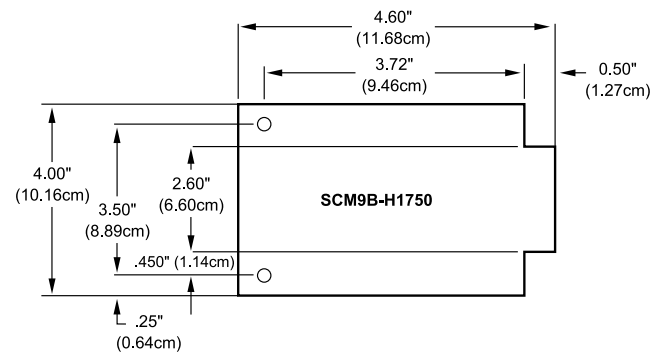
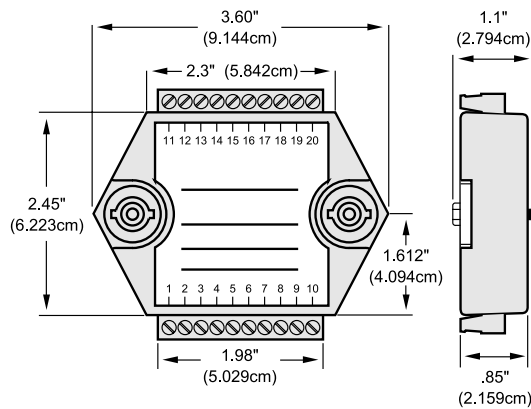
Connectors: Screw terminal barrier plug (supplied).

Replace with Phoenix MSTB 1.5/10 ST 5.08 or equivalent.

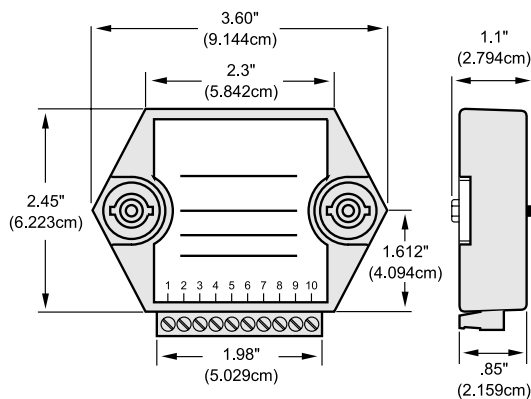
1300 Series



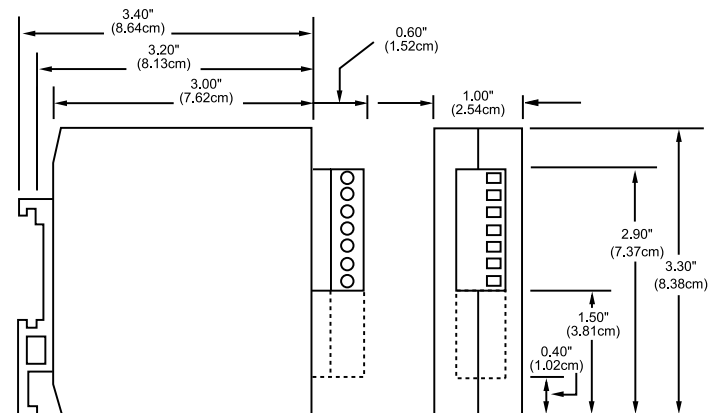
1700 Series



1000/2000/3000/4000/5000 Series



D100 Series



NOTE: Spacing for mounting screws = 2.700" (6.858 cm). Screw threads are 6 X 32.

SCM9B