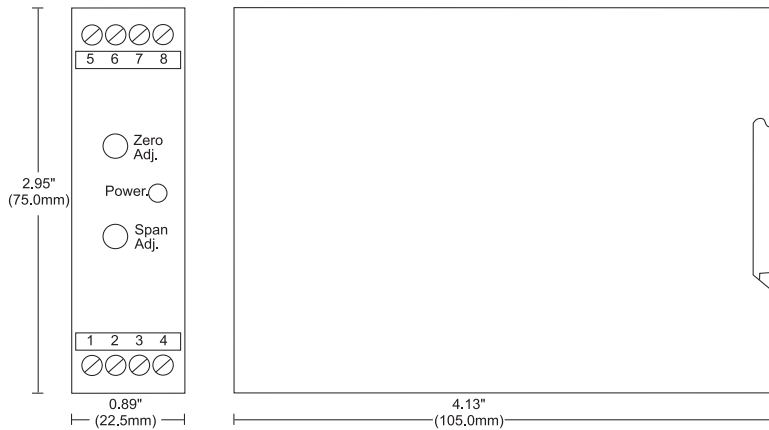


**DSCA**

Module Dimensions



- NOTES:
- 1) Pluggable terminal blocks accept wire sizes AWG 22-12. Strip wire insulation 0.27 in. (7mm) prior to insertion in terminal block.
  - 2) DSCA modules can be mounted to DIN rails shown in Accessories section.

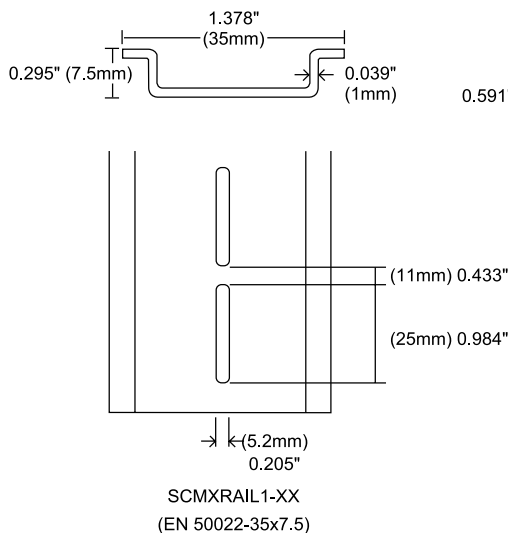
**Accessories for DSCA Analog Modules**

**SCMXRAIL1-XX / SCMXRAIL3-XX**

DIN-rail

**DESCRIPTION**

Two styles of DIN-rail are available. Specify length (-xx) in meters when ordering, -01 for 1 meter or -02 for 2 meter.



SCMXRAIL3-XX  
(EN 50022-35x15)

**Ordering Information**

Part Number	Description
SCMXRAIL1	DIN-rail, Gull-wing, (slotted steel), 35mm x 7.5mm, 1mm thick
SCMXRAIL1-01	DIN-rail EN 50022-35 x 7.5 (slotted steel), 1 meter length
SCMXRAIL1-02	DIN-rail EN 50022-35 x 7.5 (slotted steel), 2 meter length
SCMXRAIL3	DIN-rail, Gull-wing, (slotted steel), 35mm x 15mm, 1mm thick
SCMXRAIL3-01	DIN-rail EN 50022-35 x 15 (slotted steel), 1 meter length
SCMXRAIL3-02	DIN-rail EN 50022-35 x 15 (slotted steel), 2 meter length

## PWR-PS5RxW Series

### Switching Power Supplies



#### DESCRIPTION

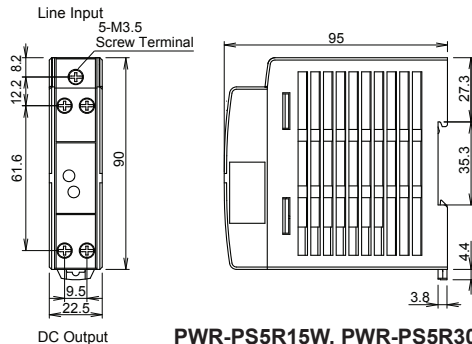
Dataforth's PWR-PS5RxW series sets new standards for switching power supply technology. Combining rugged, compact enclosures, incorporating all international standards and approvals, and offering customers a broad selection of inputs and outputs, the PWR-PS5RxW series makes your power supply choice a simple one. The PWR-PS5RxW series is UL/cUL and TUV Approved, CE Compliant, and UL 508 Listed. Models are available with output ratings from 7.5W to 120W with 24VDC output voltages. Customers may choose from a wide range of input voltages (85 to 264VAC, and 100 to 370VDC compatible), making the PWR-PS5RxW series an unbeatable package of versatility.

#### FEATURES

- Universal AC Input (85 to 264VAC)
- DC-compatible Input (100 to 370VDC)
- Unique Spring-up Terminals
- DIN-rail or Panel Mount
- Five Different Output Capacities: 7.5W to 120W
- UL/cUL, and TUV Approvals
- CE Compliant, UL 508 Listed
- Certified to EN60950-1
- IP20 Protection (EN60529)
- Compliant with EMC Directive EN61204-3
- Manufactured per RoHS III Directive 2015/863

#### Specifications PWR-PS5RxW Series Typical at T<sub>A</sub> = +25°C

Model	PWR-PS5R7W	PWR-PS5R15W	PWR-PS5R30W	PWR-PS5R60W	PWR-PS5R120W
Input	100 to 240VAC Nominal; 85 to 264VAC, 100 to 370VDC Compatible				
Frequency	50/60Hz				
Input Current	0.18A at 100V 0.10A at 200V	0.35A at 100V 0.19A at 200V	0.70A at 100V 0.30A at 200V	1.30A at 100V 0.80A at 200V	1.40A at 100V 0.70A at 200V
Output Voltage and Current Ratings	24V, 0.3A	24V, 0.65A	24V, 1.3A	24V, 2.5A	24V, 5.0A
Temperature Change	0.05%				
Ripple Voltage	1% p-p (max) (including noise)				
Overcurrent Protection	105% (min)				
Dielectric Strength	Between Input and Output Terminals: 3,000VAC, 1 Minute Between Input Terminals and Housing: 2,000VAC, 1 Minute Between Output Terminal and Housing: 500VAC, 1 Minute				
Insulation Resistance	Between Input and Output Terminals/Input Terminal and Housing: 100MΩ (min) (500VDC)				
Operating Temperature	-25°C to +75°C		-25°C to +70°C		-25°C to +65°C
Storage Temperature	-25°C to +75°C				
Operating Humidity	20 to 90% RH (avoid condensation)				
Dimensions (h)x(w)x(d)	2.95" x 1.77" x 2.76" (75mm x 45mm x 70mm)	3.54" x 0.89" x 3.74" (90mm x 22.5mm x 95mm)	3.74" x 1.42" x 4.25" (95mm x 36mm x 108mm)	4.53" x 1.81" x 4.76" (115mm x 46mm x 121mm)	
Terminal Screw	M3.5 Phillips Screws In Spring-up Terminals				



**PWR-PS5R15W, PWR-PS5R30W Physical Dimensions**  
(Consult factory for other model drawings)

#### Ordering Information

Model	Power	Output
PWR-PS5R7W	7.5W	24VDC/0.3A
PWR-PS5R15W	15W	24VDC/0.65A
PWR-PS5R30W	30W	24VDC/1.3A
PWR-PS5R60W	60W	24VDC/2.5A
PWR-PS5R120W	120W	24VDC/5.0A