

SCM9B-PB08/PB14 Series Accessories



8- and 14-channel Mounting Backplanes

DESCRIPTION

The SCM9B-PB08 and PB14 are 8- and 14-channel, respectively, mounting backplanes (Figure below). The backplanes accept any RS-485 analog input or analog output modules and are designed to be mounted in standard 19 inch racks. RS-485 modules are used because RS-485 is the preferred communications standard for high-channel count applications. Although analog modules are used it must be noted that every module has some digital I/O capability. Therefore the combination of modules with the backplanes make a cost effective, high density remote analog and digital data acquisition system.

The backplanes reduce wiring costs by providing all common connections on the backplane. Each backplane includes screw terminals for all inputs, outputs, power connections and communications signals. The backplanes also include swagged thru-hole standoffs for mounting, a hold-down bar, and holes for an RS-485 termination resistor.

SCM9B-H1750/H1770

24- and 64-channel Digital I/O Boards



DESCRIPTION

The SCM9B-H1750/H1770 digital I/O interface is designed to expand the remote I/O capability of the SCM9B-1700 series of modules. Commands are communicated over RS-232 or RS-485 links from any standard serial I/O port of computers or modems. The command set for the H1700 series boards is identical to the 1700 series modules.

The H1750 is designed to interface directly to either a 16- or 24-channel industry-standard solid-state relay rack (Dataforth part numbers SCMD-PB16 or SCMD-PB24). The H1770 will connect to a maximum of four 16-channel racks (SCMD-PB16). As with the SCM9B modules, up to 124 boards can be multidropped using RS-485 communications and SCM9B-A1000 repeaters.

The I/O channels may be configured to be inputs or outputs in any combination designated by the user. The input/output configuration may be changed at any time through the communications port. The I/O assignments are saved in nonvolatile memory and are automatically loaded when the unit is powered up. All boards are supplied with screw terminal plugs or ribbon connectors and captive mounting hardware.

Ordering Information – SCM9B-PB08/PB14

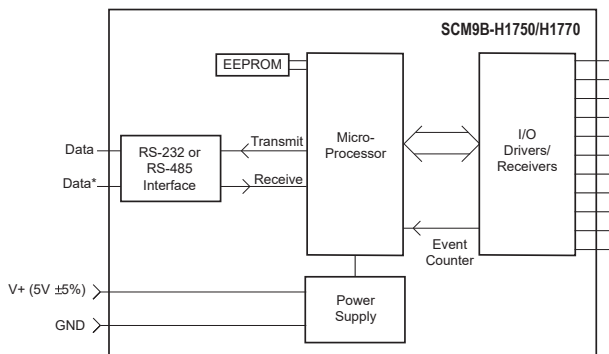
Part Number	Description
SCM9B-PB08	8-channel Backpanel

FEATURES

- Computer Monitoring and Control of Standard Digital I/O Modules via RS-232 or RS-485
- Digital Inputs and Outputs Interface with Solid-state Relays to Sense AC and DC Voltages
- Controls Digital Inputs and Outputs Individually
- User Can Define Any Bit as Input or Output
- 24- and 64-channel Versions
- Expands up to 7936 Digital I/O Channels (124 Multidropped 64-channel Boards)
- Read or Set 7936 Inputs or Outputs in Less Than 1s
- Mounts in 19 inch Racks
- Compatible with All SCM9B Products
- Same Command Set as 1700 Series Modules
- CE Compliant

Ordering Information – SCM9B-H1750/H1770

Part Number	Description
SCM9B-1701	7 inputs/8 outputs, RS-232C Output
SCM9B-1702	7 inputs/8 outputs, RS-485 Output
SCM9B-1711	15 inputs or outputs, RS-232C Output
SCM9B-1712	15 inputs or outputs, RS-485 Output
SCM9B-H1750	24 inputs or outputs, user selected RS-232C or RS-485 Output
SCM9B-H1770	64 inputs or outputs, user selected RS-232C or RS-485 Output



SCM9B-H1750/H1770 Block Diagram - [For Module Dimensions and Pinouts, See Page 5-26](#)