

# SCMD Accessories

## Digital I/O Module Backpanels



### Ordering Information

Model	Description
SCMD-PB4	4-ch Backpanel, Full Size and Miniature
SCMD-PB4R	4-ch Backpanel, Full Size and Miniature, Output Only
SCMD-PB16SM	16-ch Backpanel, 50-trace I/O Male Card Edge
SCMD-PB16TSM	16-ch Backpanel, Screw Terminal Input and Output
SCMD-PB24SM	24-ch Backpanel, 50-trace I/O Male Card Edge
SCMD-PB4D	4-ch Backpanel, Full Size and Miniature, DIN-rail Mount
SCMD-PB16SMD	16-ch Backpanel, 50-trace I/O Male Card Edge, DIN-rail Mount
SCMD-PB16TSM D	16-ch Backpanel, Screw Terminal Input and Output, DIN-rail Mount
SCMD-PB24SMD	24-ch Backpanel, 50-trace I/O Male Card Edge, DIN-rail Mount

### Jumpers (Connect common terminals on backpanels.)

Model	Description
SCMD-JM8	Miniature, 8-position (Last Time Buy)

### Connectors

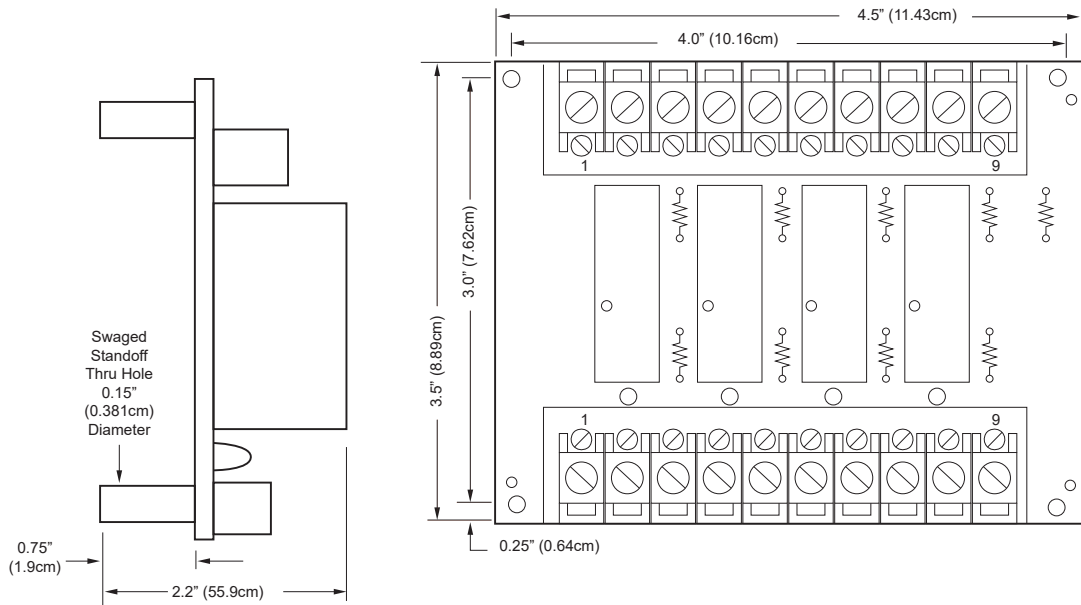
Mating Connector for 50-trace I/O Male Card Edge

Part Number	Manufacturer
66317-150	FCI-Berg
3415-0001	3M

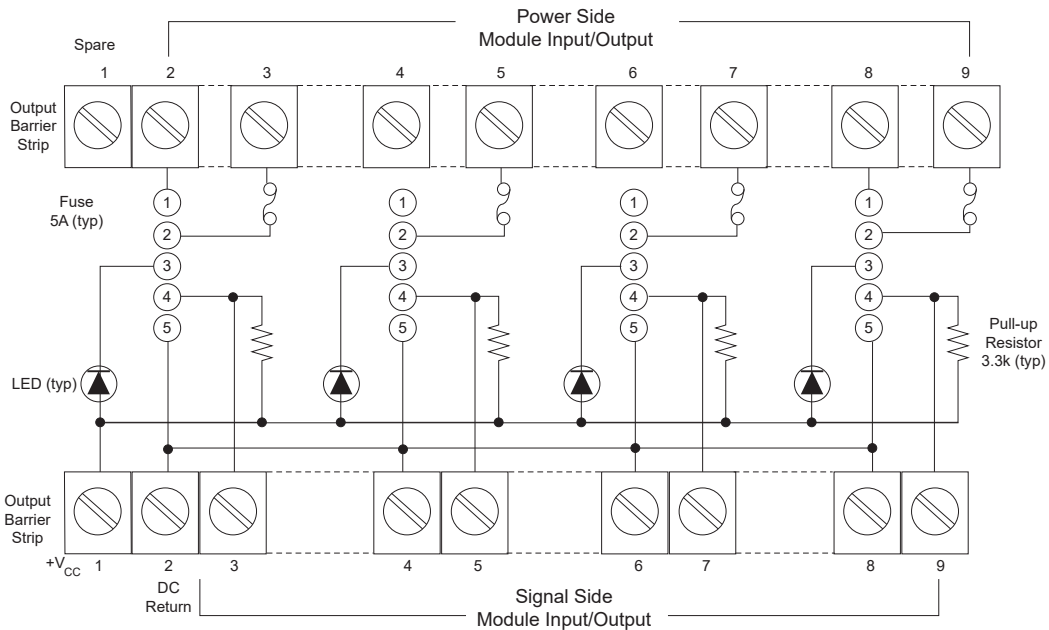
### FEATURES

- Plug-compatible Logic Connections on 8-, 16-, and 24-Position Backpanels, Screw Terminal Barrier Block for Logic Connections on 4-Position Backpanels
- Screw Terminal Barrier Block for Load Connections
- Resident Pull-Up Resistors
- 5A Field-Replaceable Fuses (Littelfuse #251005 or Equivalent)
- LEDs Indicate Logic Status
- All Even-Numbered Logic Connections are Logic Ground
- Input and Output Modules Accepted Interchangeably
- Operate with 5V or 24V Logic Supplies
- Plastic Captive-Screw Retaining System for All Modules
- PB4, PB4R, PB8SM, PB16SM, PB16TSM, and PB24SM, UL Listed, CSA Certified and CE Compliant
- RoHS III Directive (EU) 2015/863

# SCMD-PB4

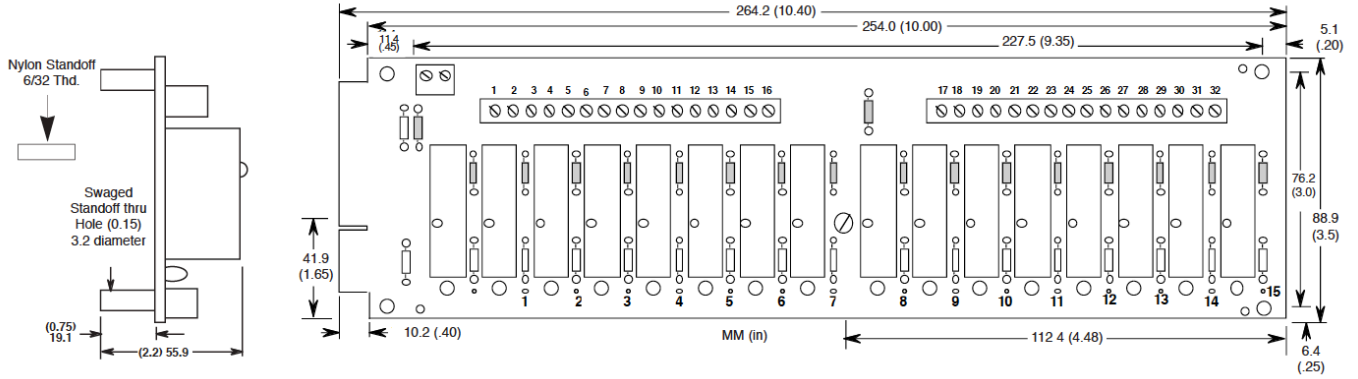


## Mounting Dimensions

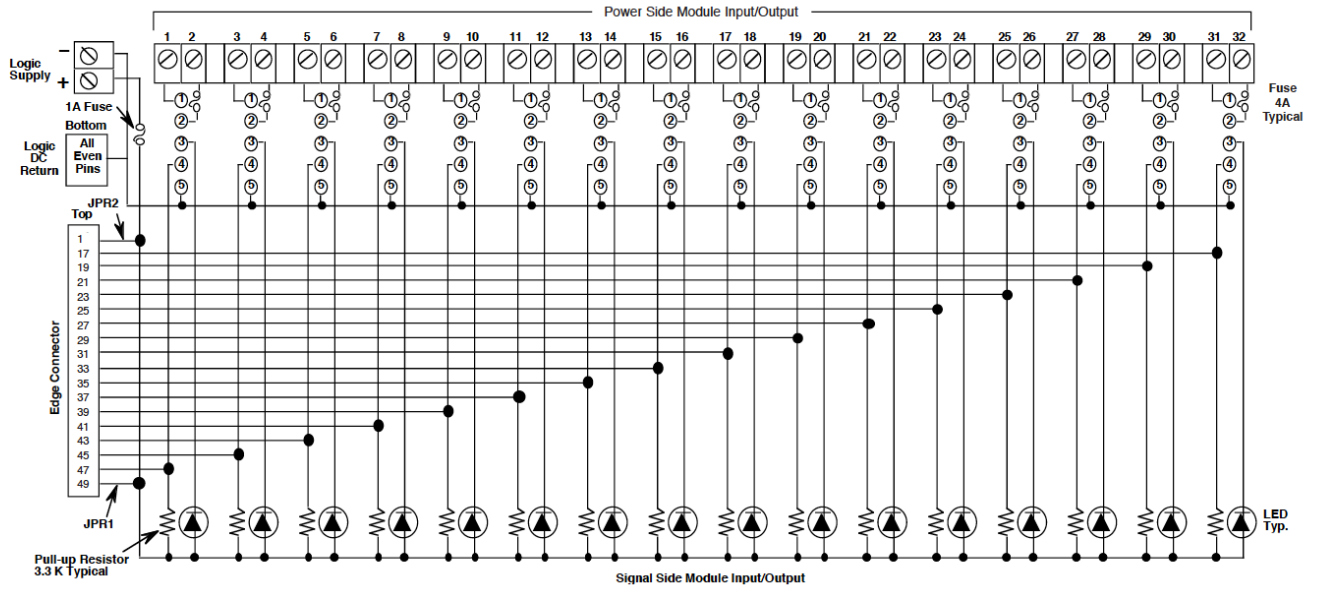


## Schematic Diagram

# SCMD-PB16SM



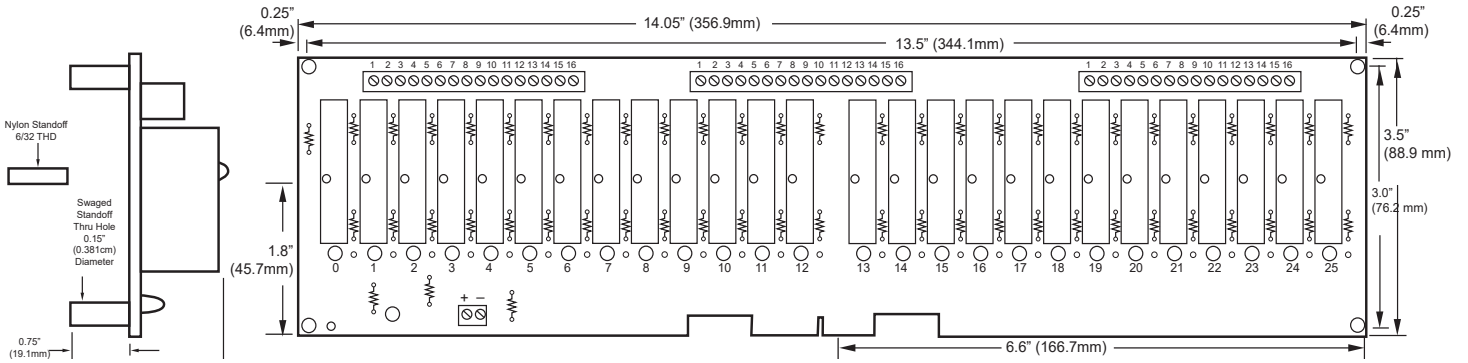
Mounting Dimensions



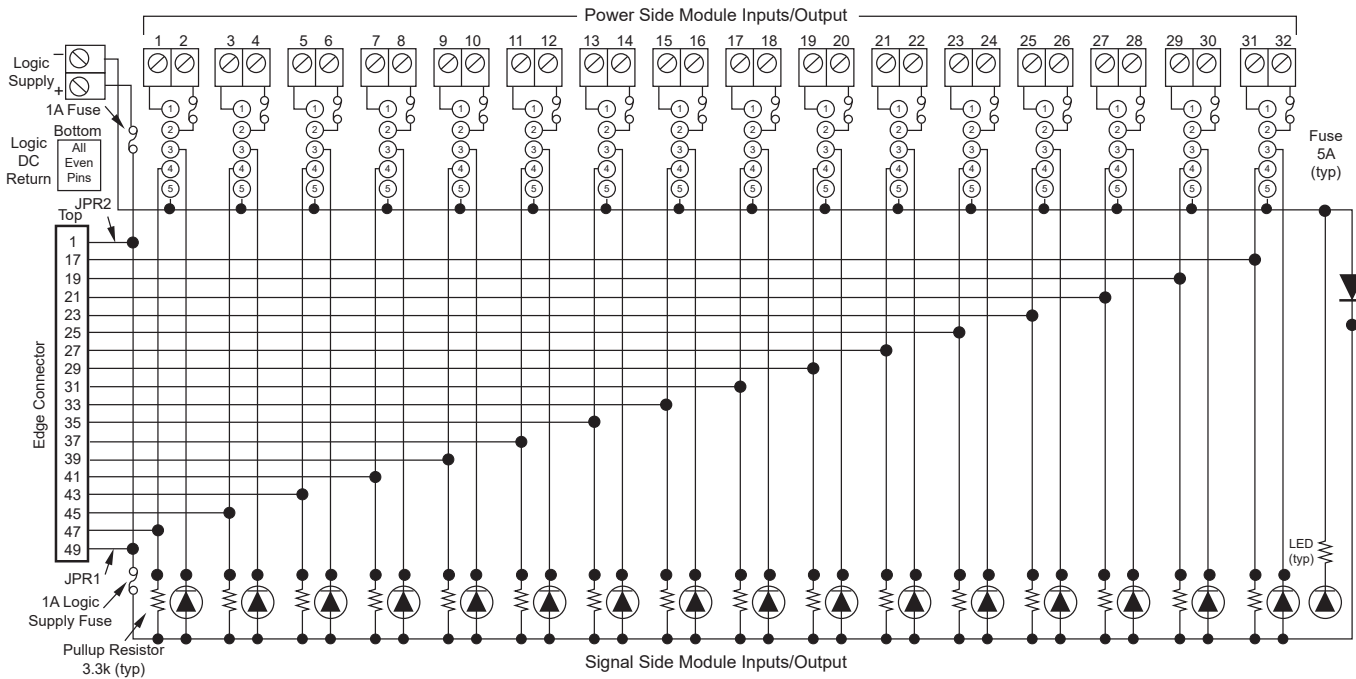
Schematic Diagram

SECTION 5 - SCMD

# SCMD-PB24SM



## Mounting Dimensions



## Schematic Diagram