

SCMD-MOAC/MODC

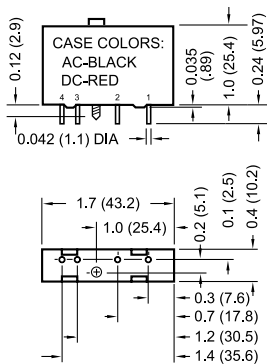
Miniature Digital-output Modules



DESCRIPTION

The SCMD digital-output modules are used for switching AC and DC loads such as relays, solenoids, motor starters, or indicator lamps. All models provide up to 4000Vrms of optical isolation between the field device and the control logic. The AC-output modules incorporate zero-voltage switching and an RC-snubber circuit which allows switching heavy inductive loads. Functionality is denoted by case color—AC modules are black, and DC modules are red.

Six backpanels are available for mounting SCMD-M digital-output modules.



Dimensions: Inches (Millimeters)
Tolerance: ±0.020 (±0.50)

Figure 1: SCMD-MOAC/MODC Physical Dimensions

FEATURES

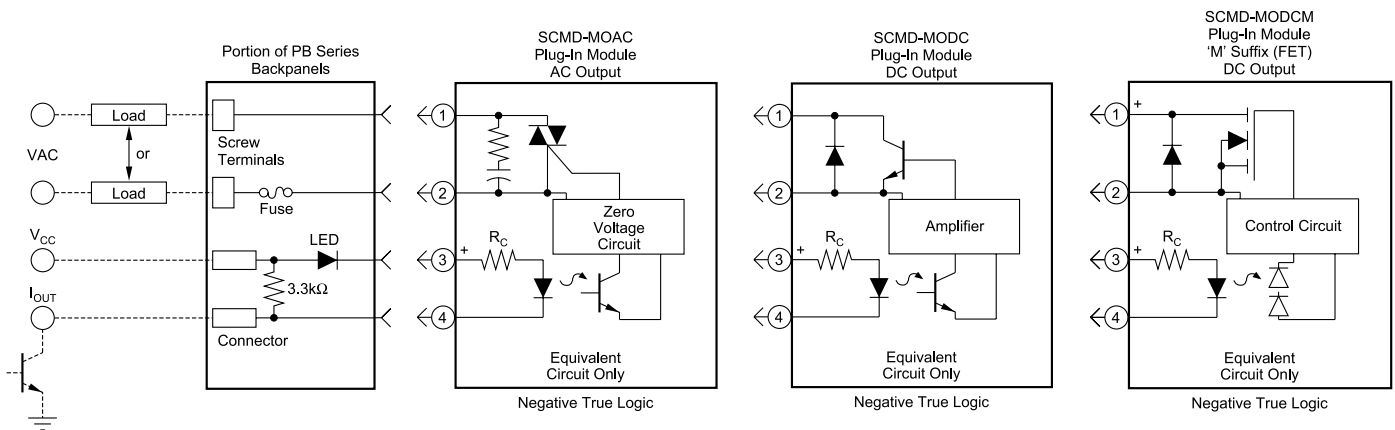
- AC Modules have High-current Thyristor with 100A Surge Capability
- Zero or Random Turn-on Available in AC Modules
- Plug into Backpanels for Miniature or Full-sized Modules
- 4000Vrms Optical Isolation (except ML suffix)
- 1500Vrms Optical Isolation (with ML suffix)
- Industry-standard Pinout and Footprint
- 3.5A AC Modules Provide Extra Switching Capability
- 5.0A DC Modules Available
- Operating Temperature -30°C to +80°C
- UL Listed, CSA Certified, CE Compliant
- RoHS III Directive (EU) 2015/863

Ordering Information

Model	Output Range	Supply Voltage
SCMD-MOAC5	12 to 140VAC	5V
SCMD-MOAC5A	24 to 280VAC	5V
SCMD-MOAC5B	24 to 280VAC	5V
SCMD-MOAC24	12 to 140VAC	24V
SCMD-MOAC24A	24 to 280VAC	24V
SCMD-MODC5	3.0 to 60VDC	5V
SCMD-MODC5A	5.0 to 200VDC	5V
SCMD-MODC5ML	0 to 50VDC	5V
SCMD-MODC24	3.0 to 60VDC	24V

Digital Output Modules - Model No. Suffixes Identifying Optional Features

Suffix	Feature
A	High-voltage Versions (280VAC for AC Modules, 200VDC for DC Modules)
B	High-voltage Versions (280VAC for AC Modules) with Low-leakage Output Current
ML	FET-output Version of DC Module, 5.0A, 50VDC



SCMD-MOAC/MODC Circuit Diagrams